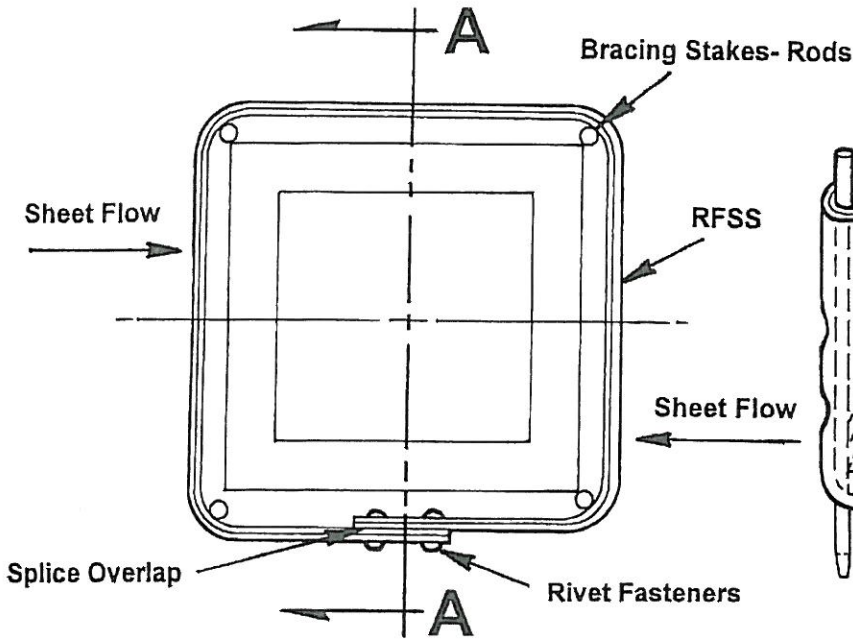




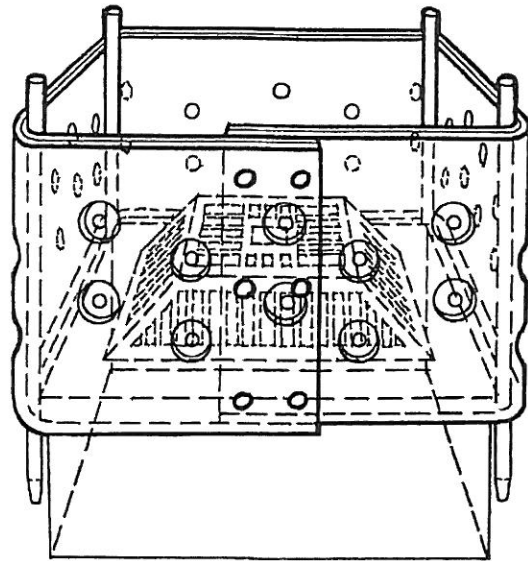
Resilient, Flexible,
Self-supporting, Silt Fence

Storm Drain Installation

(Square Applications)

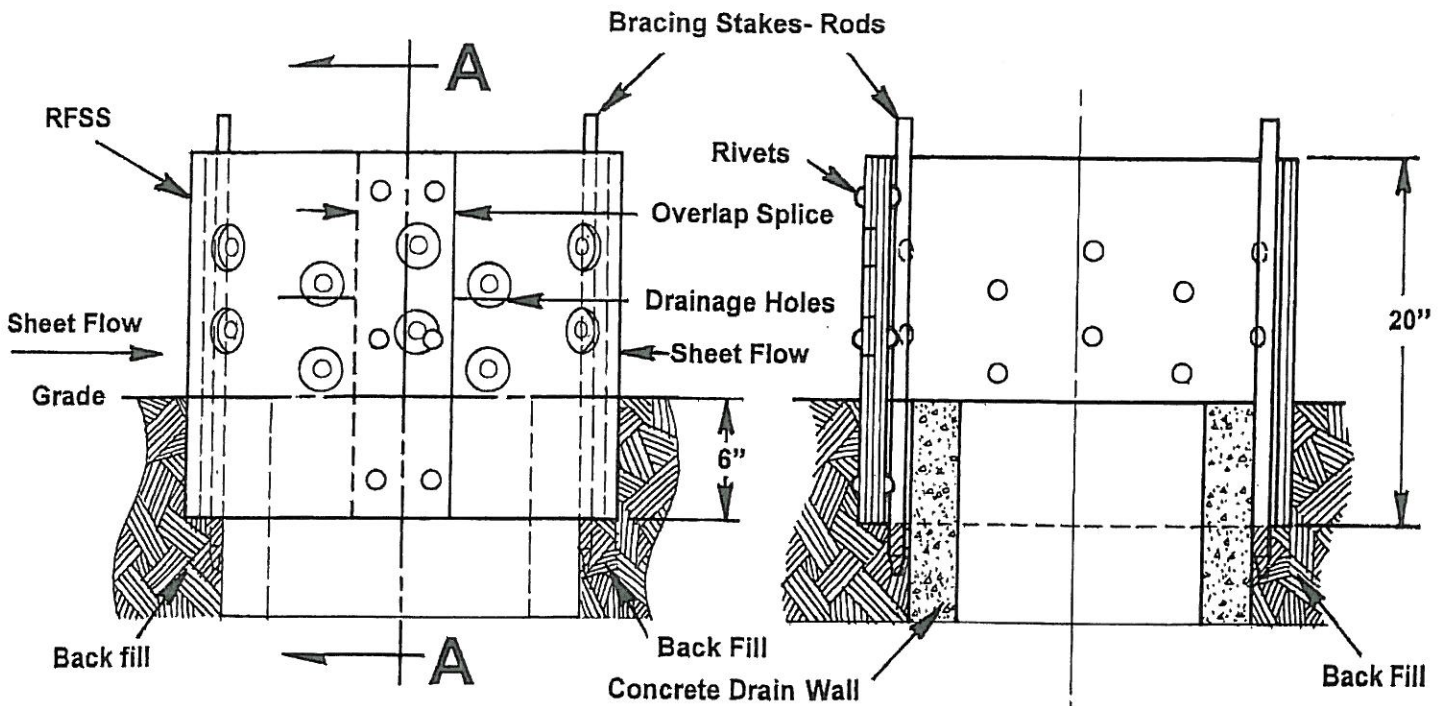


Top View



NOTE:

The surface with the larger drain holes should be positioned on the Fence side facing the sheet flow



Side View

Section A-A